

# AIR6N0-C-MB NX 4×USB3.2

## AI Edge for 4xUSB3.2

YUAN  
Visualize Intelligent Planet

### Features

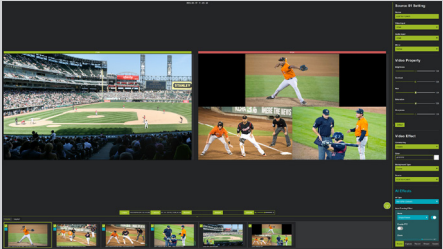
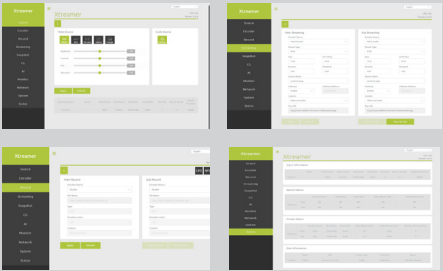
- Powered by NVIDIA® Jetson Orin™ NX up to 100 / 70 TOPS
- Business Card Size
- 2×M.2, Gen 4×2 M Key / Gen 4×1 E Key
- 1×USB3.2 Gen2, 4×USB3.2 Gen1
- 1×Mini DisplayPort



### Specifications

System		
CPU	NVIDIA Jetson Orin™ NX 8GB 6-Core Arm® Cortex®-A78AE v8.2 64-Bit CPU 1.5MB L2 + 4MB L3	NVIDIA Jetson Orin™ NX 16GB 8-Core Arm® Cortex®-A78AE v8.2 64-Bit CPU 2MB L2 + 4MB L3
GPU	1024-Core NVIDIA Ampere Architecture GPU with 32 Tensor Cores	
AI Performance	NVIDIA Jetson Orin™ NX 8GB 70 TOPS	NVIDIA Jetson Orin™ NX 16GB 100 TOPS
System Memory	NVIDIA Jetson Orin™ NX 8GB 8GB LPDDR5	NVIDIA Jetson Orin™ NX 16GB 16GB LPDDR5
Interface		
Storage	Supports External NVMe 1×Micro SD Card Slot	
Display Interface	1×Mini DP1.4	
Ethernet	1×RJ45 for 10/100/1000Mbps Ethernet DHCP Client	
Expansion Slot	M.2 1×M.2 2230 M Key PCIe Gen4×2 Slot 1×M.2 2230 E Key PCIe Gen4×1 Slot	
USB	1×USB3.2 Gen2 ( Type-C ) 4×USB3.2 Gen1 ( Type-A )	
MIPI	Default: 2×4MIPI CSI-2 Lanes ( D-PHY 2.1, Support MIPI Camera, Capture Card )  Option: 4×2MIPI CSI-2 Lanes ( D-PHY 2.1, Support MIPI Camera, Capture Card )	
Peripheral Communication	14 Pin Header 1×USB2.0 4×GPIO 1×UART 1×I2C  3 Pin Header 1×UART  2×6 Pin Header 3×GPIO 1×I2C 1×RS485  8 Pin Phoenix Connector 1×RS232 1×I2C 1×GPIO	
Misc. Features	Firmware Upgradable	

## Add-On Cards / SDK / Software

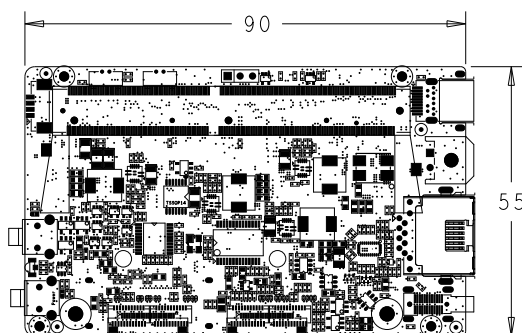
Video Feature		
Video Encode	AV1 ( UHP ) 1×4K60   3×4K30   6×1080p60   12×1080p30	
	H.265 ( UHP ) 1×4K60   3×4K30   6×1080p60   12×1080p30	
	H.264 ( UHP ) 1×4K60   2×4K30   5×1080p60   11×1080p30	
Video Decode	AV1 ( Main Profile ) 1×8K30   2×4K60   4×4K30   9×1080p60   20×1080p30	
	H.265 ( Main, Main10 ) 1×8K30   2×4K60   4×4K30   9×1080p60   18×1080p30	
	H.264 ( Baseline, Main, High ) 1×4K60   2×4K30   5×1080p60   11×1080p30	
	VP9 ( Profile 0, Profile 2 ) 1×4K60   3×4K30   7×1080p60   15×1080p30	
SDK		
QCAP	Capture High Performance Renderer Image Snapshot Deinterlace, Alpha Blending Engine Auto Signal Detection 2D/3D Video, Audio and VANC Streams Capture	
	Record Encrypt / Sync / Clone / Recording Time-Shifting / Rewind / Pre-Event / Recording Multi-Streams ( 3D ) Recording Animation Transition Effect Video Cropping, Scaling and Alpha Blending Engine	
	Stream 2D/3D Universal Stream Client 2D/3D Multi-Streams Stream Server RTSP, RTMP, HLS, SRT, TS, WebRTC. NDI-HX (*), Full NDI (*), Dante AV-H (*) Animation Transition Effect Video Cropping, Scaling and Alpha Blending Engine <b>*Separate License Required</b>	
QDEEP	AI SDK Integrated Multiple Algorithms and Deep-Learning Models in Various Fields of Applications Face Recognition Objects Detection Objects Segment Optical Character Recognition License Plate Recognition Customizable Video AI Functions Upon Request	
Software ( Optional )		
Stream Catcher Pro	Capture Auto Signal Detection Deinterlace, OSD, Color Adjustment Image Snapshot Animation Transform Effect for PGM	
	Record AV1, H.26X MP4, TS Multi-Stream Recording Schedule Recording	
	Stream Multi-Streams Stream Server RTSP, RTMP, HLS, SRT, TS, WebRTC. NDI-HX (*), Full NDI (*), Dante AV-H (*) <b>*Separate License Required</b>	
Xtreamer	Web Based User Interface	
	Encode / Decode AV1, H.26X	
	Color Format Adjust 444 / 422 / 420, 10Bit / 8Bit Select	
	Record MP4, TS	
	Stream / Network RTSP, RTMP, HLS, SRT, TS, WebRTC. NDI-HX (*), Full NDI (*), Dante AV-H (*) <b>*Separate License Required</b>	

## Environment

Development Environment	
OS	Ubuntu: 20.04
Kernel	5.10.104-tegra or Higher
BSP	Linux for Tegra(L4T) R35.3.1 or Higher
SDK	JetPack 5.1.1 or Higher
Environment	
Power Supply	DC Input : 9~24V
Power Consumption	TBA
Operating Temperature	Standard Version: 0~60 ° C with Airflow
Storage Temperature	-20~80 ° C

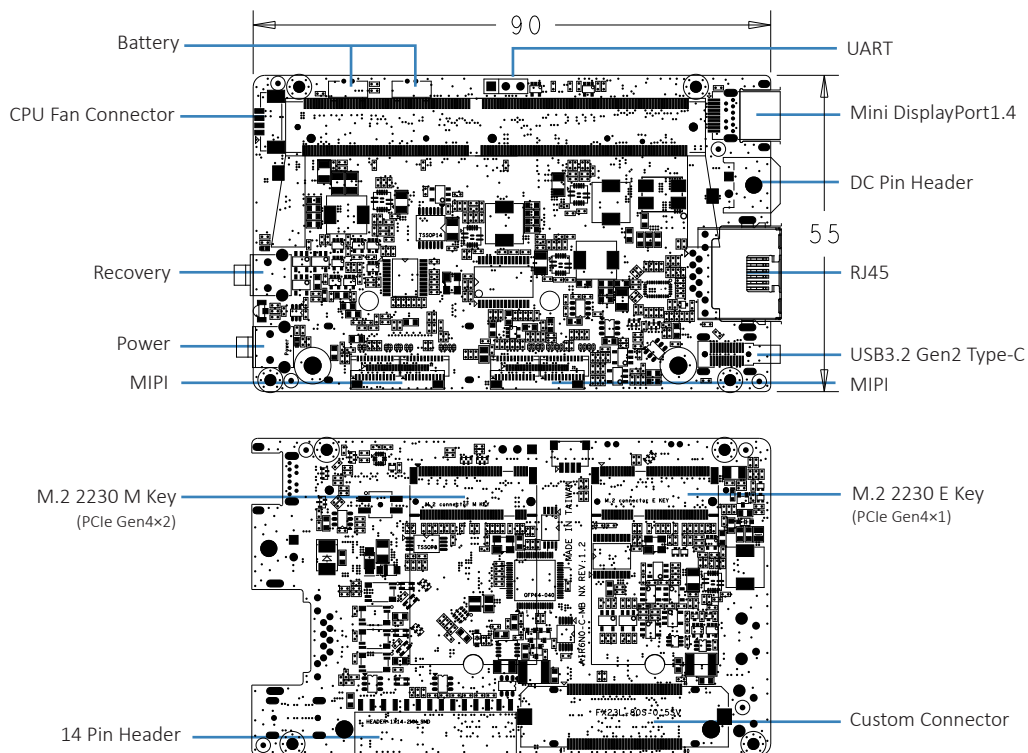
## Mechanical

- Dimension of main Board: 90mm×55mm
- Weight: TBA

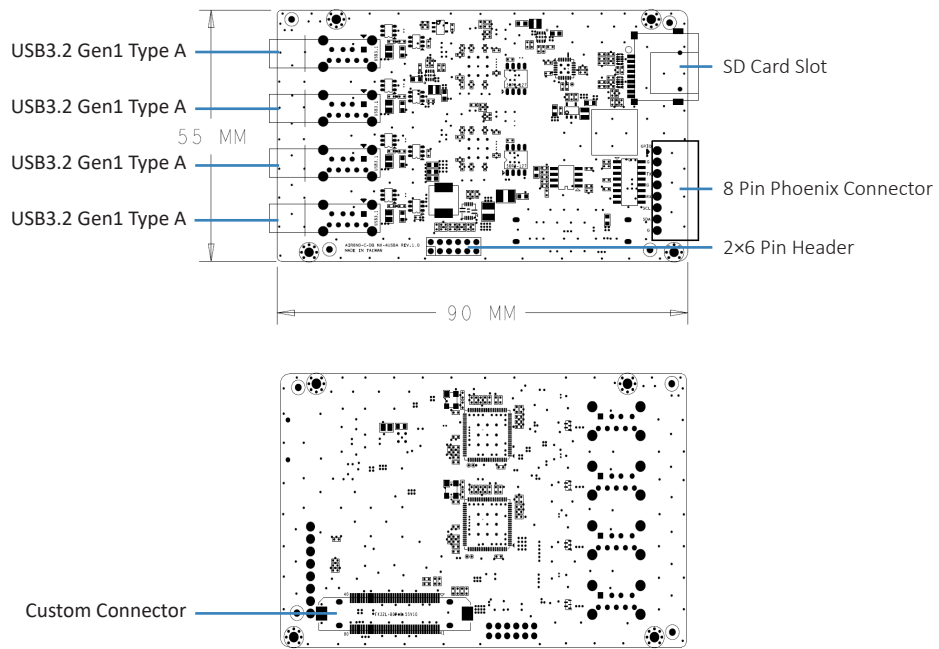


## I/O Layout

- Carrier Board



• USB Daughter Board



\* All registered trademarks are the property of their owners. The photo is for reference only.

\* Technology License Patent Royalty. Supplier ( YUAN Technology Ltd. ) as an OEM vendor is not responsible for any royalties applied to the Models and collected by any patent or trade mark holders or his exclusive, non-exclusive.

Licensees or representatives such as MPEG4, Dolby, Thomson, Sisvel, H.264, MPEG4 and any other natural or legal person. All concerning royalties of patents and trade marks will be paid or negotiated with the above mentioned owner by you. In case of any patent or trademark infringement you are responsible for all necessary processes and costs. You accept and acknowledge that all prices of Models offered by supplier are exclusive of any royalties, charges or license fees for any patents in any countries or areas.

