

VPP6N0-S NX PSE

4×PSE for IP Camera & Edge AI

YUAN
Visualize Intelligent Planet

Features

- Powered by NVIDIA® Jetson Orin™ NX Super up to 157 TOPS
- 4×PSE for IP Camera (4×15W)
- 2×M.2 M Key, Gen 4×4 / Gen 4×1
- Fanless Design
- 4×USB3.2 Gen2
- RS232 / RS485 / I2C



Specifications

System		
CPU	NVIDIA Jetson Orin™ NX 8GB Super 6-Core Arm® Cortex®-A78AE v8.2 64-Bit CPU 1.5MB L2 + 4MB L3	NVIDIA Jetson Orin™ NX 16GB Super 8-Core Arm® Cortex®-A78AE v8.2 64-Bit CPU 2MB L2 + 4MB L3
GPU	1024-Core NVIDIA Ampere Architecture GPU with 32 Tensor Cores	
AI Performance	NVIDIA Jetson Orin™ NX 8GB 117 TOPS	NVIDIA Jetson Orin™ NX 16GB 157 TOPS
System Memory	NVIDIA Jetson Orin™ NX 8GB 8GB LPDDR5	NVIDIA Jetson Orin™ NX 16GB 16GB LPDDR5
Interface		
Storage	Supports External NVMe	
Display Interface	2×HDMI2.0	
Ethernet	1×RJ45 for 10/100/1000Mbps Ethernet DHCP Client	
Expansion Slot	M.2 1×M.2 2280/3080 M Key PCIe Gen4×4 Slot 1×M.2 2280 M Key PCIe Gen4×1 Slot	
USB	4×USB3.2 Gen2 (Type-A) 2×USB3.2 Gen1 (Pin Header)	
MIPI	2×4MIPI CSI-2 Lanes (D-PHY 2.1, Support MIPI Camera, Capture Card)	
Audio	1×Line In (3.5mm or Pin Header) 1×Line Out (3.5mm or Pin Header)	
Perherial Communication	1×RS232 (Phoenix Connector or Pin Header) 1×RS485 (Phoenix Connector or Pin Header) 4×GPIO (Pin Header) 3×I2C (Pin Header)	
Misc. Features	Firmware Upgradable AutoPower (Pin Header)	

Key Points

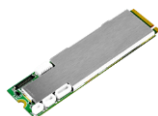
PSE Feature	
IP Camera	4×RJ45 for 10 / 100 / 1000Mbps Ethernet with IEEE802.3af and IEEE802.3at Compliant
PSE Power Supply	4×15W (IEEE802.3af) or 4×30W (IEEE802.3at)

Add-On Cards / SDK / Software

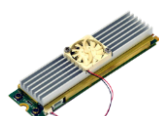
Video Feature				
	Model	Interface	Max. Resolution	Capture / Preview
Capture Card (Optional)	SC750N1 M2 HDMI2.1	1×HDMI2.1	4096×2160p@60/50fps (4:4:4 / 10Bit)	4:2:2 10Bit P210 4:2:0 10Bit P010 4:4:4 8Bit YV24 4:4:4 8Bit RGB32 / 24 4:2:2 8Bit YUY2 4:2:0 8Bit YV12, NV12
	SC710N1 M2 HDMI2.0	1×HDMI2.0	4096×2160p@60/50fps	
	SC710N1 M2 12G-SDI	1×12G-SDI, 1×Quad-Link 3G-SDI	4096×2160p@60/50fps	
	SC400N4 M2 TVI / AHD	4×TVI / AHD	1920×1080p@30/25fps	
	SC400N4 M2 HDMI	4×HDMI	1920×1080p@60/50fps	
	SC400N4 M2 SDI	4×3G-SDI	1920×1080p@60/50fps	
	SC400N1 M2 HDV	1×DVI-I, 1×YPbPr, 1×VGA	1920×1080p@60/50fps	
Video Encode	AV1 (UHP) 1×4K60 3×4K30 6×1080p60 12×1080p30			
	H.265 (UHP) 1×4K60 3×4K30 6×1080p60 12×1080p30			
	H.264 (UHP) 1×4K60 2×4K30 5×1080p60 11×1080p30			
Video Decode	AV1 (Main Profile) 1×8K30 2×4K60 4×4K30 9×1080p60 20×1080p30			
	H.265 (Main, Main10) 1×8K30 2×4K60 4×4K30 9×1080p60 18×1080p30			
	H.264 (Baseline, Main, High) 1×4K60 2×4K30 5×1080p60 11×1080p30			
	VP9 (Profile 0, Profile 2) 1×4K60 3×4K30 7×1080p60 15×1080p30			
SDK				
QCAP	Capture High Performance Renderer Image Snapshot Deinterlace, Alpha Blending Engine Auto Signal Detection 2D/3D Video, Audio and VANC Streams Capture			
	Record Encrypt / Sync / Clone / Recording Time-Shifting / Rewind / Pre-Event / Recording Multi-Streams (3D) Recording Animation Transition Effect Video Cropping, Scaling and Alpha Blending Engine			
	Stream 2D/3D Universal Stream Client 2D/3D Multi-Streams Stream Server RTSP, RTMP, HLS, SRT, TS, WebRTC., Full NDI (*), NDI-HX (*), Dante AV-H (*) Animation Transition Effect Video Cropping, Scaling and Alpha Blending Engine *Separate License Required			
QDEEP	AI SDK Integrated Multiple Algorithms and Deep-Learning Models in Various Fields of Applications Face Recognition Objects Detection Objects Segment Optical Character Recognition License Plate Recognition Customizable Video AI Functions Upon Request			



SC750N1 M2 HDMI2.1



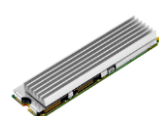
SC710N1 M2 HDMI2.0



SC710N1 M2 12G-SDI



SC400N4 M2 TVI / AHD



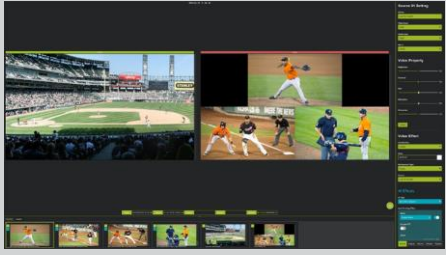
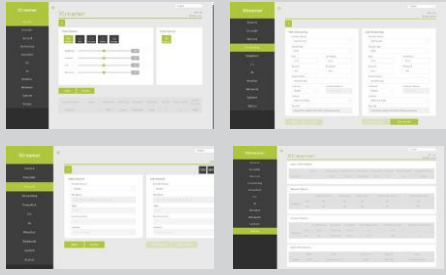
SC400N4 M2 HDMI



SC400N4 M2 SDI



SC400N1 M2 HDV

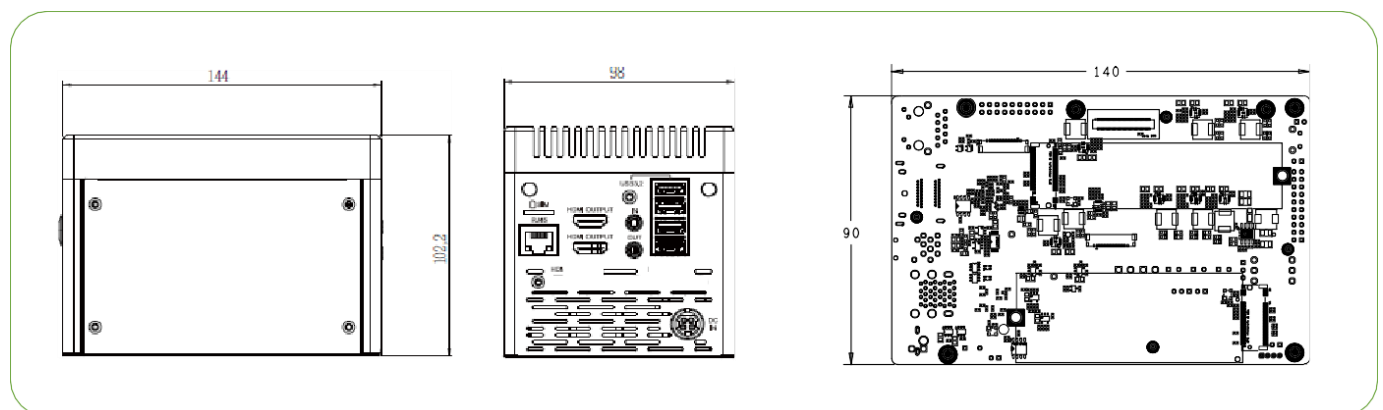
Software (Optional)		
Stream Catcher Pro	Capture Auto Signal Detection Deinterlace, OSD, Color Adjustment Image Snapshot Animation Transform Effect for PGM	
	Record AV1, H.26X MP4, TS Multi-Stream Recording Schedule Recording	
	Stream Multi-Streams Stream Server RTSP, RTMP, HLS, SRT, TS, WebRTC., Full NDI (*), NDI-HX (*), Dante AV-H (*) *Separate License Required	
Xtreamer	Web Based User Interface	
	Encode / Decode AV1, H.26X	
	Color Format Adjust 444 / 422 / 420, 10Bit / 8Bit Select	
	Record MP4, TS	
	Stream / Network RTSP, RTMP, HLS, SRT, TS, WebRTC., Full NDI (*), NDI-HX (*), Dante AV-H (*) *Separate License Required	

Environment

Development Environment	
JetPack	6.2 or Higher
Environment	
Power Supply	DC Input : 48V (For PSE Feature, IEEE802.3af Requires 120W Adapter, IEEE802.3at Requires 160W Adapter.)
Power Consumption	TBA
Operating Temperature	Standard Version: 0~60 °C with Airflow
Storage Temperature	-20~80

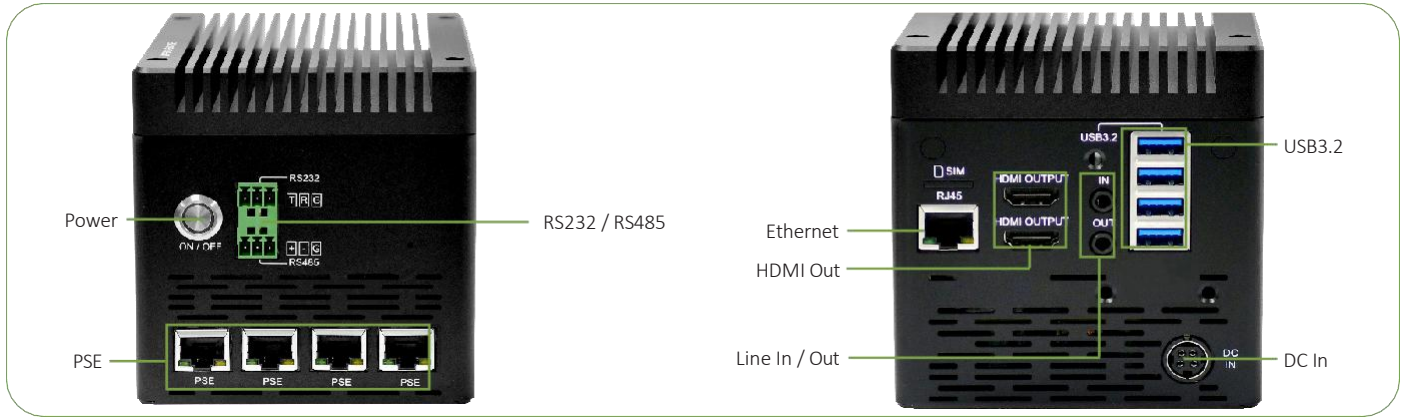
Mechanical

- Dimension of case: 144mm×98mm×102mm
- Dimension of main Board: 140mm×90mm
- Weight: TBA

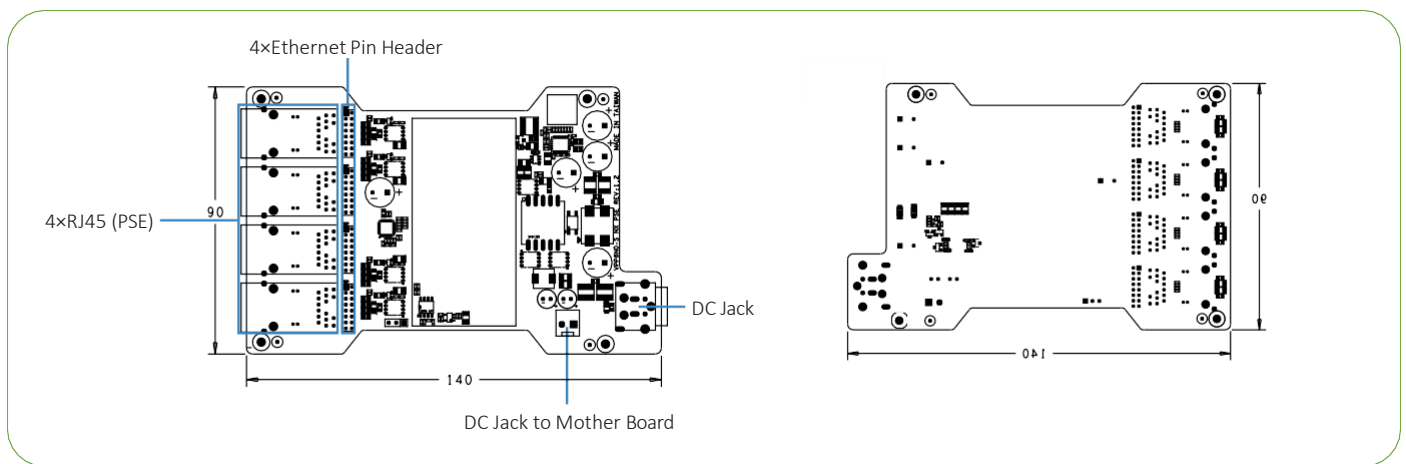


I/O Layout

• Case



• PSE Daughter Board



* All registered trademarks are the property of their owners. The photo is for reference only.

* Technology License Patent Royalty. Supplier (YUAN Technology Ltd.) as an OEM vendor is not responsible for any royalties applied to the Models and collected by any patent or trade mark holders or his exclusive, non-exclusive.

Licensees or representatives such as MPEGLA, Dolby, Thomson, Sisvel, H.264, MPEG4 and any other natural or legal person. All concerning royalties of patents and trade marks will be paid or negotiated with the above mentioned owner by you. In case of any patent or trademark infringement you are responsible for all necessary processes and costs. You accept and acknowledge that all prices of Models offered by supplier are exclusive of any royalties, charges or license fees for any patents in any countries or areas.

